

Southern World Industries (SWI) offer our clients a wide range of wear products and professional wear solutions.

Some of our products and services:

- *Wear plates, wear liners*
- *Chocky bars and wear buttons*
- *Wear blocks, wear bars*
- *Custom made wear liners*
- *Bucket protection*
- *Sugar mill hammer tips*
- *Casting/Investment casting*
- *Fast service and timely delivery*



Laminated Wear Blocks are unique wear resistant materials in that they combine very high wear resistant qualities of a high chrome cast iron (ASTM A532 15/3CrMo, 700 BHN – 63 HRC) with a weldable & high impact toughness mild steel through a metallurgical bond to create a product that is exceptionally resistant to impact and abrasion.

A. Chemical

C	Cr	Mn	Mo	Cu	P	Si	S	B, V, Nb
2.5-3.5	15-18	0.5-1.0	0.5-2.5	0.5-1.0	0.02max	0.5-1.0	0.02max	0.1-0.5

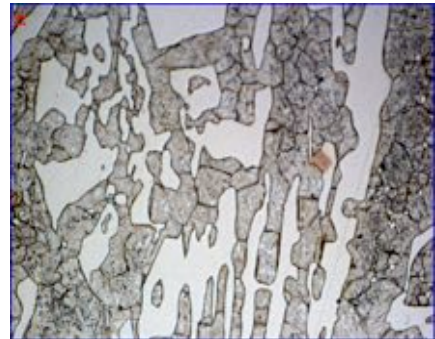
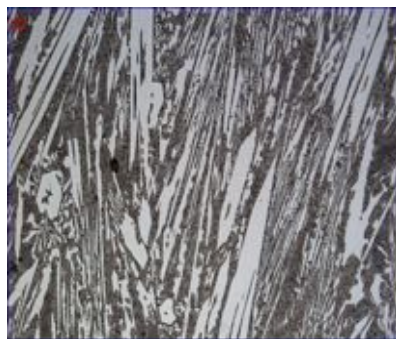
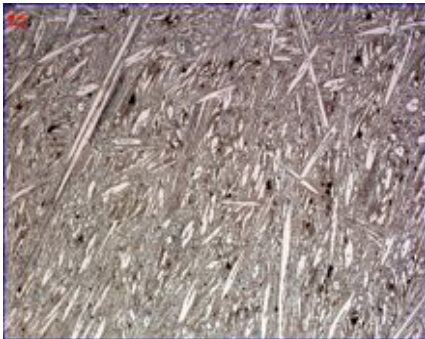
B. Mechanical Property:

- 1) Tensile Strength 630Mpa Min.
- 2) Shearing Strength 250Mpa Min.
- 3) Hardness 63 HRC

C. Micro-structure

Carbide + Martensite + Retained Austenite

The Carbide Content is about 41.4%



D. Application

Wear Pads
Jaw Crushers
Chute Linings
Ore Chutes
Crusher Chutes
Tripper Chutes
Flop Gates
Bucket Liners
Grizzly Bars

Lip Protectors
Screen Plates
Bucket Liners
Floor Liners
Loaders
Wear Aprons
Knife Inserts
Crusher Bars
Run Out Rolls

Dump Hoppers
Crusher Hoppers
Vibratory Feeders
Rock Box Edges
Surge Bin Liners
Rock Box Liners
Skip Liners
Trough Liners
Draglines

Concentration Bins
Buckets
Transition Pieces
Coal Transfer Chutes
Apron Feeder Liners
Loading Pocket Liners
Splitter/Divider Plates
Hammer Mill Inserts
Rolling Mill Guides

Hopper Edges
Shovels
Arm & Hub Liners
Bolt Protectors
Truck Bed Liners
Impact Wall Liners
Distribution Plates
Bucket Wheel Protection
Conveyor Transfer Points



Chocky Bars

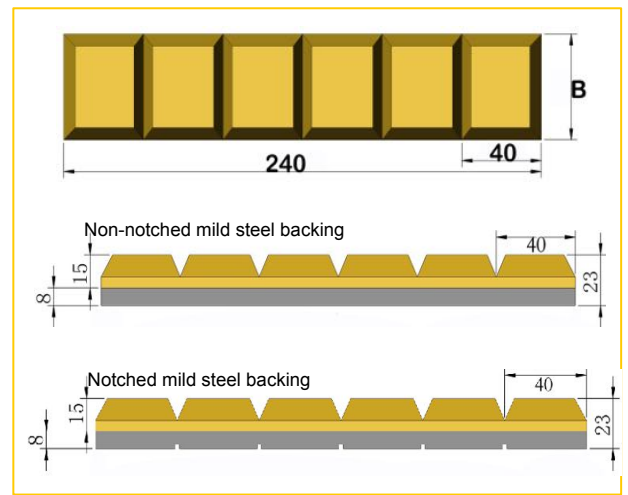
The unique, formable design of wear chocky bars are available in various lengths, grades and sizes and can also be customized as per the clients specific need. Applications for wear Chocky Bars are wide and varied, ranging from specific wear protection on buckets for loaders, excavators and draglines machines, or for weld-on hammer tips for the re-cycling industry, or chute linings and rock box edges. They are easy to use and install. They can be bent, cut and formed to suit different surfaces.

The standard is 23mm, length is 240mm, width could be from 25mm to 150mm. We can also produce according to your special request

TERMS AND FREIGHT CHARGES ARE STATED AT THE CLOSE OF THIS DOCUMENT.

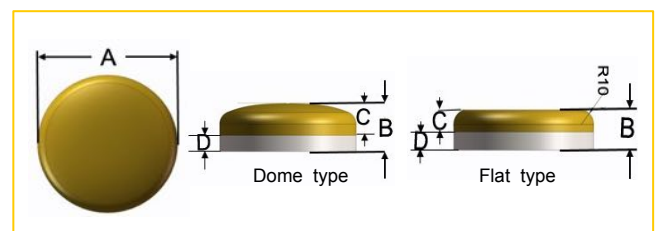


Item No.	Size (mm)	Dimension(mm)				N.W. (kg)	USD/pc
		A	B	C	D		
CB 25	240x25x23	240	25	15	23	0.9	\$9.96
CB 40	240x40x23	240	40	15	23	1.5	\$14.53
CB 50	240x50x23	240	50	15	23	1.9	\$18.41
CB 65	240x65x23	240	65	15	23	2.5	\$24.22
CB 80	240x80x23	240	80	15	23	3.2	\$31.00
CB 90	240x90x23	240	90	15	23	3.5	\$33.91
CB 100	240x100x23	240	100	15	23	3.9	\$37.78
CB 130	240x130x23	240	130	15	23	5.4	\$52.31
CB 150	240x150x23	240	150	15	23	7.3	\$70.72



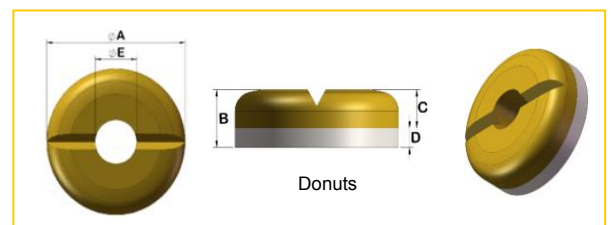
Wear Buttons

Item No.	Size (mm)	Dimension(mm)				N.W. (kg)	USD/pc
		A	B	C	D		
WB 60	ø60x27	60	27	17	10	0.7	\$7.75
WB 75	ø75x27	75	27	17	10	0.8	\$8.86
WB 90	ø90x27	90	27	17	10	1.4	\$13.56
WB 110	ø110x32	110	32	20	12	2.1	\$20.34
WB 115	ø115x32	115	32	20	12	2.5	\$24.22
WB 150	ø150x41	150	41	25	16	5.7	\$55.22



Wear Donuts

Item No.	Size (mm)	Dimension(mm)					N.W. (kg)	USD/pc
		A	B	C	D	E		
WD 75	ø75x25	75	25	17	8	25	0.7	\$6.78
WD 100A	ø100x25	100	25	17	8	50	1.0	\$9.69
WD 100B	ø100x32	100	32	24	8	70	1.0	\$9.69
WD 130	ø130x23	130	23	15	8	80	1.3	\$12.59
WD 148	ø148x35	148	35	25	10	108	2.2	\$21.31



Standard Wear Bars

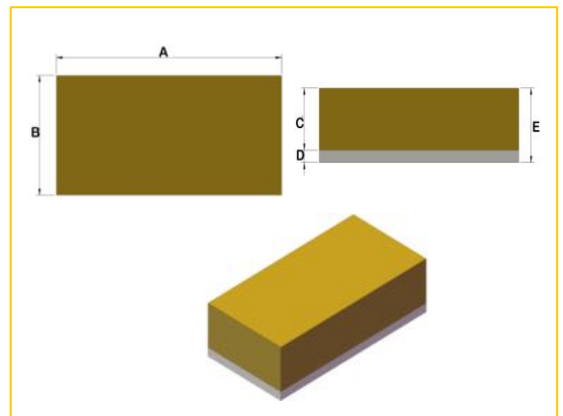
Item No.	Size (mm)	Dimension(mm)					N.W. (kg)	USD/pc
		A	B	C	D	E		
HSd 200	200x25x25	200	25	15	10	25	1.0	\$9.69
HSd 300A	300x25x25	300	25	15	10	25	1.5	\$14.53
HSd 153	153x38x33	153	38	25	8	33	1.5	\$14.53
HSd 300B	300x38x33	300	38	25	8	33	3.0	\$29.06
HSd 203	203x50x20	203	50	12	8	20	1.6	\$15.50
HSd 254	254x50x20	254	50	12	8	20	2.0	\$19.38
HSd 190A	190x50x30	190	50	20	10	30	2.2	\$21.31
HSd 65	65x50x50	65	50	38	12	50	1.3	\$12.59
HSd 115	115x50x50	115	50	38	12	50	2.3	\$22.28
HSd 127	127x50x50	127	50	38	12	50	2.4	\$23.25
HSd 150A	150x50x50	150	50	40	10	50	2.9	\$28.09
HSd 190B	190x50x50	190	50	40	10	50	3.7	\$35.84
HSd 210	210x50x50	210	50	38	12	50	4.1	\$39.72
HSd 230	230x50x50	230	50	38	12	50	4.5	\$43.59
HSd 294	294x50x50	294	50	40	10	50	5.8	\$59.19
HSd 300C	300x50x50	300	50	40	10	50	5.9	\$57.16
HSd 432	432x50x50	432	50	38	12	50	8.5	\$82.34
HSd 600	600x50x50	600	50	38	12	50	11.8	\$114.31
HSd 250	250x60x20	250	60	12	8	20	2.4	\$23.25
HSd 150B	150x75x39	150	75	29	10	39	3.4	\$32.94
HSd 150C	150x75x50	150	75	40	10	50	4.4	\$42.63
HSd 150D	150x75x60	150	75	50	10	60	5.3	\$51.34
HSd 241	241x100x58	241	100	38	20	58	11.0	\$106.56



- Better wear resistance performance
- Durable
- Fine polish
- Cost effective
- Excellent quality

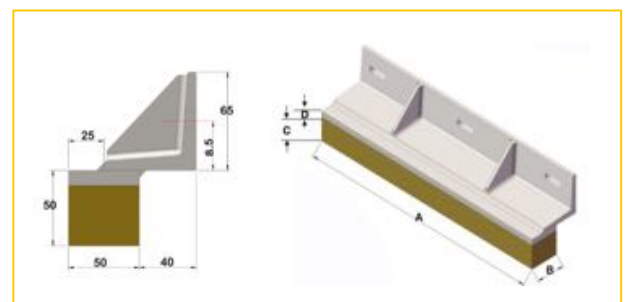
Note: Studs Extra

If arc studs are required, please stipulate the size and position required.



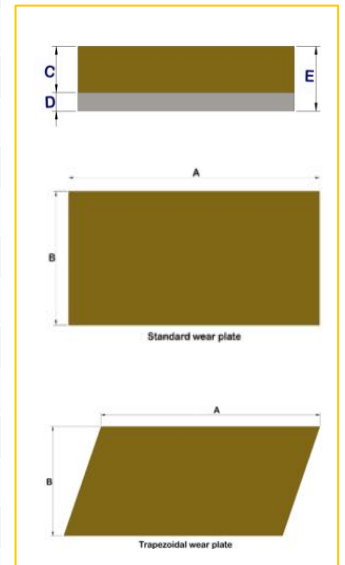
Microledges

Item No.	Size (mm)	Dimension(mm)				N.W. (kg)	USD/pc
		A	B	C	D		
HM 115	115x50	115	50	40	10	3.2	\$31.00
HM 127	127x50	127	50	38	12	3.6	\$34.88
HM 150	150x50	150	50	40	10	4.2	\$40.69
HM 190	190x50	190	50	38	12	5.5	\$53.28
HM 210	210x50	210	50	38	12	6.0	\$58.13
HM 230	230x50	230	50	38	12	6.6	\$63.94
HM 432	432x50	432	50	38	12	12.5	\$121.09



Wear Plates-Standard type/Trapezoidal type

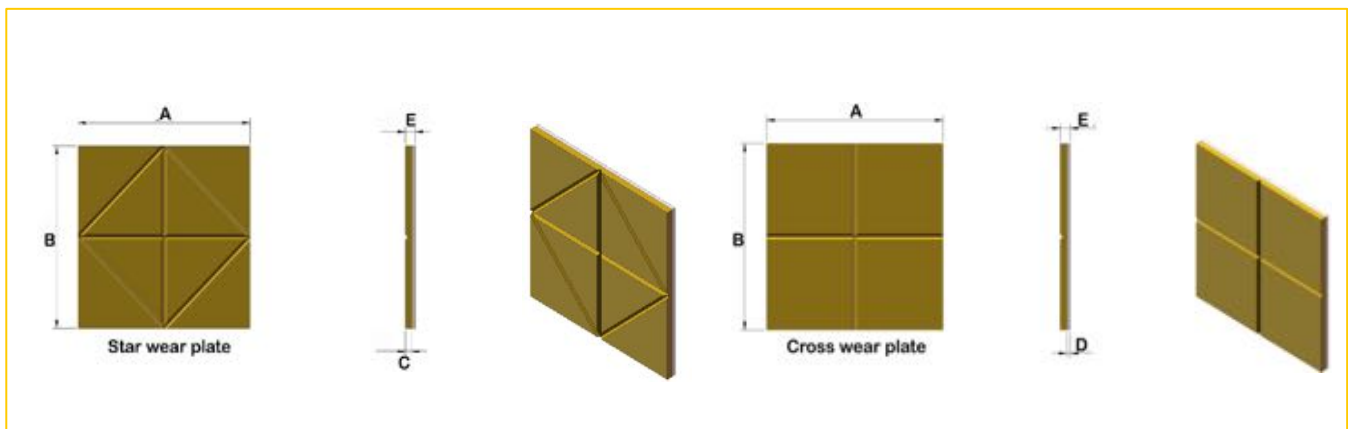
Type	Item No.	Size (mm)	Dimension(mm)					N.W. (kg)	USD /pc
			A	B	C	D	E		
Standard	WP 200	200x200x20	200	200	14	6	20	6.3	\$61.03
	WP 300A	300x150x20	300	150	14	6	20	7.0	\$67.81
	WP 250	250x250x20	250	250	14	6	20	9.8	\$94.94
	WP 300B	300x300x20	300	300	14	6	20	14.1	\$136.59
	WP 305	305x150x24	305	150	18	6	24	8.6	\$83.31
	WP 300C	300x150x25	300	150	19	6	25	8.8	\$85.25
	WP 300D	300x300x25	300	300	19	6	25	17.7	\$171.47
	WP 445	445x445x25	445	445	19	6	25	38.9	\$376.84
	WP 301	301x200x28	301	200	18	10	28	13.2	\$127.88
	WP 294A	294x144x30	294	144	20	10	30	10.2	\$98.81
	WP 294B	294x294x30	294	294	20	10	30	20.4	\$197.63
	WP 300E	300x150x30	300	150	20	10	30	10.6	\$102.69
	WP 300F	300x300x30	300	300	20	10	30	21.2	\$205.38
	WP 372	372x372x28	372	372	20	8	28	30.4	\$294.50
	WP 300G	300x300x50	300	300	40	10	50	35.3	\$341.97
	WP 300H	300x148x50	300	148	40	10	50	17.4	\$168.56
Trapezoidal	WPt 190	190x212.5x25	190	212.5	17	8	25	7.9	\$76.53
	WPt 241	241x290.5x30	241	290.5	22	8	30	19.5	\$188.91



Note: Studs Extra
If arc studs are required, please stipulate the size and position required.

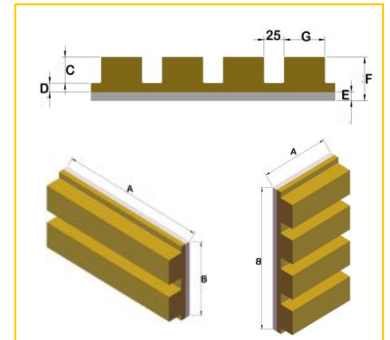
Notched Wear Plates - 3mm deep notch

Type	Item No.	Size (mm)	Dimension(mm)					N.W. (kg)	USD/pc
			A	B	C	D	E		
Star	WPs 400	400x400x23	400	400	15	8	23	28.7	\$278.03
Cross	WPC 200	200x200x12	200	200	6	6	12	3.8	\$36.81
	WPC 300	300x300x12	300	300	6	6	12	8.5	\$82.34



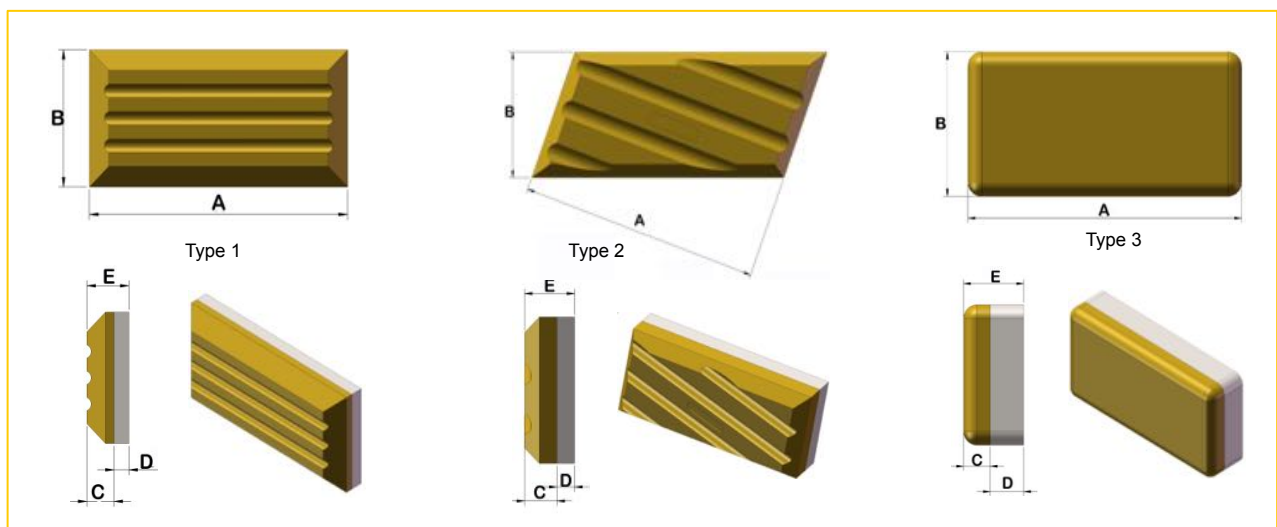
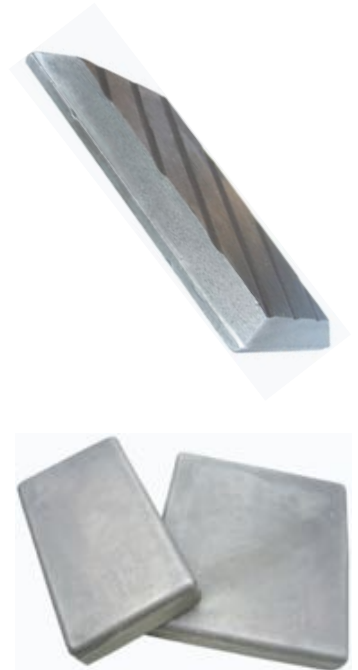
Rockbox Liners

Item No.	Size (mm)	Dimension(mm)							N.W. (kg)	USD/pc
		A	B	C	D	E	F	G		
RL 300A	300x300x50	300	300	30	10	10	50	50	28.7	\$278.03
RL 300B	300x148x50	300	148	30	10	10	50	50	13.8	\$133.69
RL 148A	148x452x50	148	452	30	10	10	50	50	21.1	\$204.41
RL 148B	148x300x50	148	300	30	10	10	50	50	14.0	\$135.63



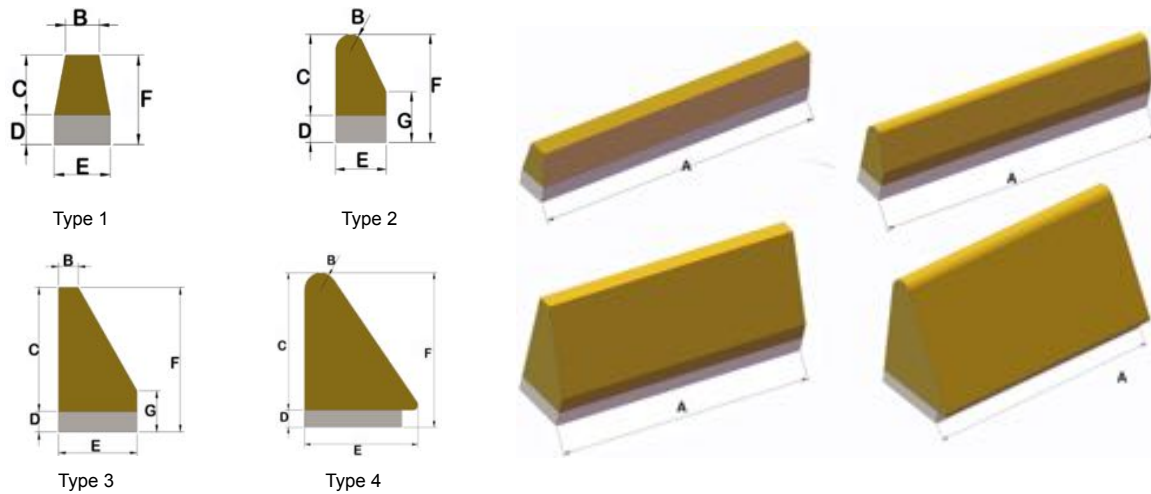
Skid Wear Bars

Type	Item No.	Size (mm)	Dimension(mm)					N.W. (kg)	USD/pc
			A	B	C	D	E		
1	SB1-214	214x101x34	214	101	22	12	34	5.1	\$49.41
	SB1-302	302x101x34	302	101	22	12	34	7.3	\$70.72
	SB1-154	154x101x34	154	101	22	12	34	3.7	\$35.84
	SB1-279	279x75x34	297	75	22	12	34	6.1	\$59.09
2	SB2-214	214x101x34	214	101	22	12	34	5.9	\$57.16
	SB2-214R	214x101x34	214	101	22	12	34	5.9	\$57.16
	SB2-302	302x101x34	302	101	22	12	34	8.4	\$81.38
	SB2-302R	302x75x34	302	75	22	12	34	8.4	\$81.38
	SB2-154	154x101x34	154	101	22	12	34	4.2	\$40.69
	SB2-154R	154x75x34	154	75	22	12	34	4.2	\$40.69
3	SB3-250A	250x150x45	250	150	20	25	45	13.1	\$126.91
	SB3-200	200x150x45	200	150	20	25	45	10.5	\$101.72
	SB3-250B	250x250x45	250	250	20	25	45	21.9	\$212.16



Shaped Wear Bars

Type	Item No.	Size (mm)	Dimension(mm)							N.W. (kg)	USD/pc
			A	B	C	D	E	F	G		
1	SWB 200	200x13x30	200	13	20	10	20	30	-	0.8	\$7.75
	SWB 244	244x10x35	244	10	25	10	25	35	-	1.3	\$12.59
	SWB 202	202x10x35	202	10	25	10	25	35	-	1.1	\$10.66
2	SWB 275	275x5x29	275	5	21	8	16	29	16	0.9	\$8.72
3	SWB 150	150x10x70	150	10	60	10	40	70	20	2.4	\$23.25
4	SWB 125	125x10x90	125	10	80	10	70	90	-	4.3	\$41.66



Wafer Strips

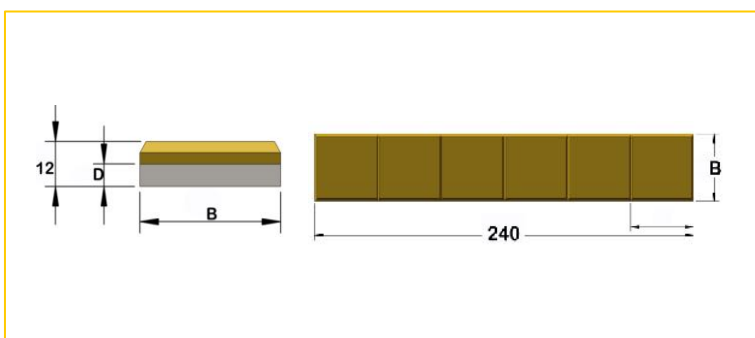
Item No.	Size (mm)	Dimension(mm)				N.W. (kg)	USD/pc
		A	B	C	D		
WS 25	240x25x12	240	25	6	6	0.6	\$6.00
WS 40	240x40x12	240	40	6	6	0.9	\$8.72
WS 50	240x50x12	240	50	6	6	1.2	\$11.63
WS 65	240x65x12	240	65	6	6	1.6	\$15.50



Non-notched mild steel backing

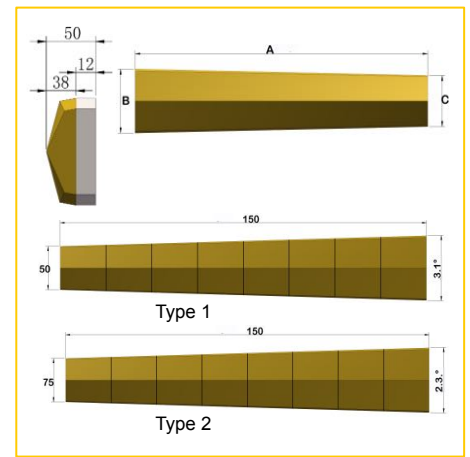


Notched mild steel backing



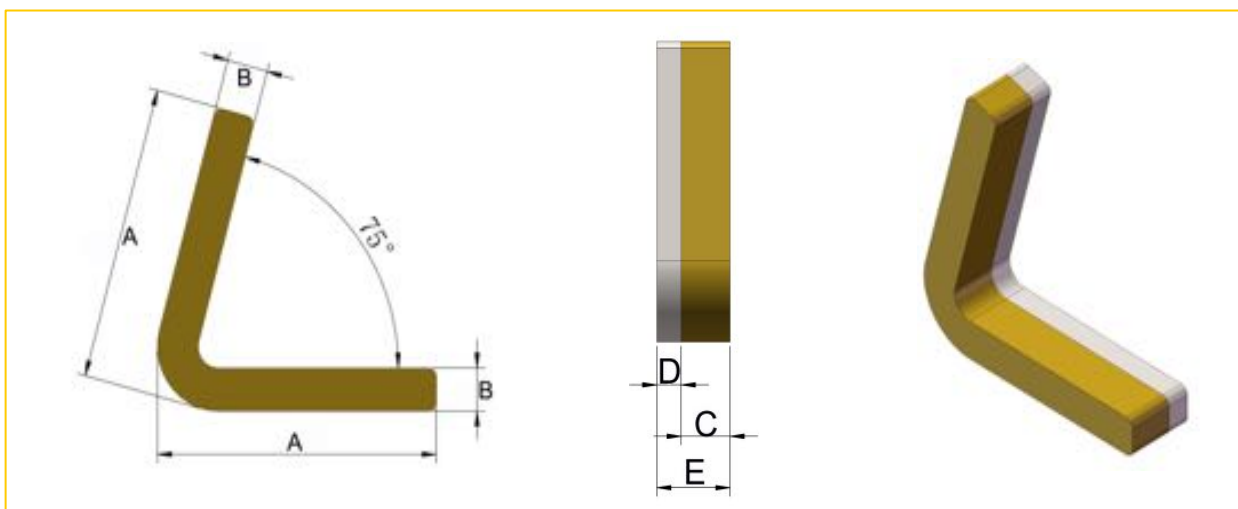
Grizzly Bars

Type	Item No.	Size (mm)	Dimension(mm)			N.W. (kg)	USD/pc
			A	B	C		
1	GB1-105	150x137.5	305	150	137.5	13.6	\$131.75
	GB1-137.5	137.5x125	305	137.5	125	12.5	\$121.09
	GB1-125	125x112.5	305	125	112.5	11.2	\$108.50
	GB1-112.5	112.5x100	305	112.5	100	10.0	\$96.88
	GB1-100	100x87.5	305	100	87.5	8.8	\$85.25
	GB1-87.5	87.5x75	305	87.5	75	7.5	\$72.66
	GB1-75	75x62.5	305	75	62.5	6.3	\$61.03
	GB1-62.5	62.5x50	305	62.5	50	5.1	\$49.91
2	GB2-150	150x141	305	150	141	13.8	\$133.69
	GB2-141	141x131	305	141	131	12.9	\$124.97
	GB2-131	131x122	305	131	122	11.9	\$115.28
	GB2-122	122x113	305	122	113	11.1	\$107.53
	GB2-113	113x103	305	113	103	10.1	\$97.84
	GB2-103	103x94	305	103	94	9.2	\$89.13
	GB2-94	94x84	305	94	84	8.3	\$80.41
	GB2-84	84x75	305	84	75	7.4	\$71.69



Elbow Wear Bars

Item No.	Size (mm)	Dimension(mm)					N.W. (kg)	USD/pc
		A	B	C	D	E		
HE 120	120x120x28	120	30	18	10	28	1.3	\$12.59
HE 180	180x180x32	180	40	22	10	32	3.0	\$29.06



Shredder Hammer Tips

These are bi-metallic composites having 700BHN hardness and available in various sizes and shapes, shredder hammer tips can be used in sugar or coal industry to do crushing and shredding performance, it has excellent impact and abrasion resistance properties & enhanced service life.

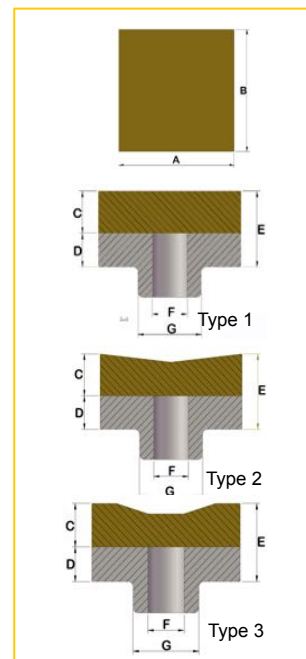


These hammers find application in

- i) Sugar Industry
- ii) Mining & Mineral Processing Industry.
- iii) Cement & Steel Industry

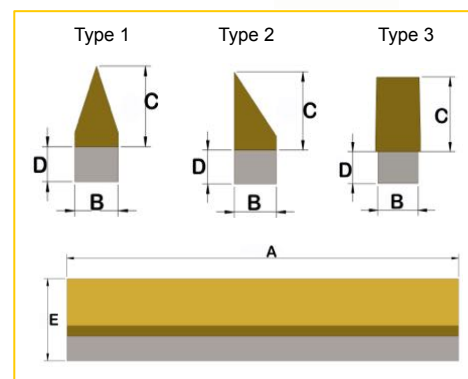
Note:
The standard size of F is 7/8"-14UNF, please inform us when other thread dimension is required.

Type	Item No.	Size (mm)	Dimension(mm)					N.W. (kg)	USD/pc
			A	B	C	D	E		
1	HC1 90-90	90x90x45	90	90	25	20	45	2.9	\$28.09
	HC1 90-50	90x50x45	90	50	25	20	45	1.6	\$15.50
	HC1 50-50	50x50x38	50	50	20	18	38	0.7	\$6.78
	HC1 80-80	80x80x45	80	80	25	20	45	2.4	\$23.25
	HC1 100-100	100x100x45	100	100	25	20	45	3.6	\$34.88
	HC1 64-64	64x64x40	64	64	20	20	40	1.2	\$11.63
	HC1 80-56	80x56x45	80	56	25	20	45	1.6	\$15.50
2	HC2 90-90	90x90x50	90	90	30	20	50	3.0	\$29.06
	HC2 80-56	80x56x50	80	56	30	20	50	1.8	\$17.44
3	HC3 90-90	90x90x55	90	90	35	20	55	3.1	\$30.33
	HC3 90-50	90x50x55	90	50	35	20	55	1.8	\$17.44
	HC3 90-56	90x56x55	90	56	35	20	55	1.9	\$18.41



Knife Edges

Type	Item No.	Size (mm)	Dimension(mm)					N.W. (kg)	USD/pc
			A	B	C	D	E		
1	HK1 203-16	203x16x50	203	16	38	12	50	0.9	\$8.72
	HK1 203-19	203x19x50	203	19	38	12	50	1.1	\$10.66
	HK1 203-22	203x22x50	203	22	38	12	50	1.3	\$12.59
	HK1 203-25	203x25x50	203	25	38	12	50	1.5	\$14.53
	HK1 305-26	305x16x50	305	16	38	12	50	1.4	\$13.56
	HK1 305-19	305x19x50	305	19	38	12	50	1.6	\$15.50
	HK1 305-22	305x22x50	305	22	38	12	50	1.9	\$18.41
	HK1 305-25	305x25x50	305	25	38	12	50	2.2	\$21.31
2	HK2 203-16	203x16x50	203	16	38	12	50	1.0	\$9.69
	HK2 203-25	203x25x62	203	25	50	12	62	1.7	\$16.47
	HK2 305-25	305x25x56	305	25	40	16	56	2.5	\$24.22
3	HK3 203-19	203x19x50	203	19	38	12	50	1.6	\$15.50
	HK3 203-25	203x25x50	203	25	38	12	50	2.1	\$20.34
	HK3 203-28	203x28x50	203	28	38	12	50	2.3	\$22.28



Chromium Carbide Overlay Wear Plates

OVERLAY-PLATE is welded by chromium carbide overlay on a mild steel backing plate. Manufactured by our own design's welding machine with exclusive technique.

OVERLAY-PLATE has excellent performance in abrasion resistant.

CHEMICAL COMPOSITION C 4.0%~5.5% Cr 21%~27%

BACKING PLATE Standard: SS400 mild steel or equivalent
Stainless or others upon request

HARDNESS HV600±

TOLERANCES ± 1mm **HEAT RESISTANCE** Maximum: 400°C

MICROSTRUCTURE Mixture of high volume hexagonal shaped chromium carbide in tough austenitic and martensitic matrix(GRADE 2355)

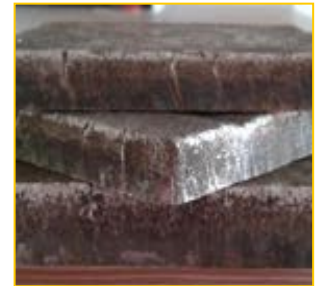
PENETRATION TO THE BASE METAL 1.5mm

COLD FORMING Minimum Radius: 150mm(for 6+4) Suggested: using hydrolic press to bend plate

CUTTING Plasma(from backing plate side) / Laser Cutting / Water Jet Knife

APPLICATIONS

- Ash liners
- Blast furnace bell & burden
- Elbow
- Sinner plant
- Bucket & Lips
- Drag liners
- Duct
- Chute & Hopper liners
- Classifier
- Fan blades & Housings
- Mine car liners
- Cyclones
- Ore chutes
- Discharge funnels
- Slag chutes
- Dredge pump side plates
- Extension ring
- Cement kilns
- Grizzly bars
- Vibrator pan feeder liner
- Sinter breaker bar
- Conveyor casings
- Green Walt crushers
- Steel plant



Standard Overlays	Weight sq/m(kg)	Standard Sheet Size(mm)	Overall Thickness	USD per Sq/m
4 ON 4	62	1500x3000 / 1200x2400	8	\$304.88
4 ON 6	77	1500x3000 / 1200x2400	10	\$318.29
6 ON 6	92	1500x3000 / 1200x2400	12	\$397.59
5 ON 8	100	1500x3000 / 1200x2400	13	\$395.12
6 ON 8	108	1500x3000 / 1200x2400	14	\$425.61
5 ON 10	116	1500x3000 / 1200x2400	15	\$436.59
9 ON 10	146	1500x3000 / 1200x2400	19	\$634.15
10 ON 10	157	1500x3000 / 1200x2400	20	\$706.10
12 ON 12	162	1500x3000 / 1200x2400	24	\$792.68
17 ON 12	222	1500x3000 / 1200x2400	29	\$1092.68





2015 - PRICE LIST

Price List Terms:

Currency -	USD.
Effective to -	Requires Confirmation.
Freight :	Items are stock prices Ex Brisbane, local freight charges apply to a depot of your choice.

Payment 30% in advance. Balance pre shipping.

Minimum Product Order:

WEAR BLOCK: Minimum Order 500KG.

OVERLAY WEARPLATE: Minimum Order 2 ton

Order Forms – Spread Sheet available

Manufacture & Delivery Period:

Manufacture & Delivery: 30 – 40 days, based on product quantity.

Southern World Industries PTY LTD.
PO BOX 12729, George Street, Brisbane, 4003.